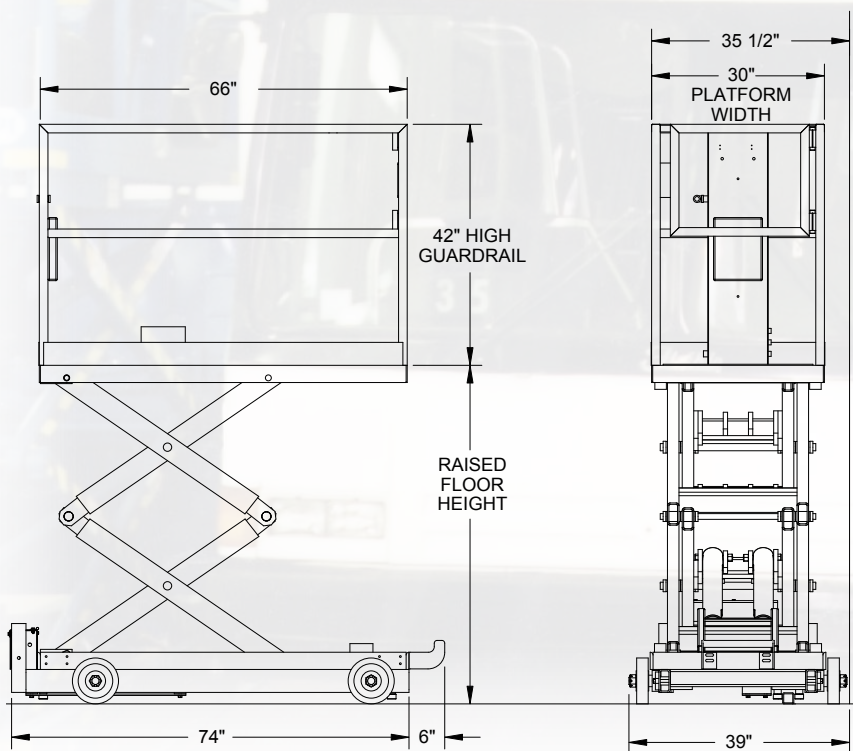


Model LPST: Rail Guided Lift Systems

Rail guided lifts are designed for use where a work process is performed along a fixed linear work area. Ideal for paint applications with limited booth structure or welding areas and blast media booths where ladders are not a safe alternative. Installation requirements are minimal with many lift options available.

All Models Include:

- Raised platform heights ranging from 53" to 144"
- Minimum lowered platform height of 14 1/2"
- Operator platform capacity 500#
- Pneumatic/hydraulic power for hazardous areas
- Electric/hydraulic power for non-hazardous areas
- Filter/Regulator/Lubricator (pneumatic versions only)
- Platform dimensions 66" long x 30" wide
- Fixed hand control with Emergency Stop
- Base control to raise and lower platform
- 3/8" NPT auxiliary air supply in operator platform
- 42" high guard rail with a self-closing gate
- Horizontal speed variable up to 40 FPM
- Vertical speed 15 FPM
- Requires clean, dry, air supply of 50 SCFM at 90 PSI



Model LPST: Rail Guided Lift Systems					
Model	Max Working Height	Max Platform Height	Lowered Floor Height	Overall Length	Overall Width
LPST-48	125"	53"	14 1/2"	80"	39"
LPST-96	168"	96"	22"	80"	39"
LPST-144	216"	144"	24"	80"	39"

Slab Type Machine should only be raised on a hard flat level surface.

All models meet applicable OSHA/ANSI Standards as interpreted by LPI, Inc.