

## MODEL BL: 3-Axis Blast Media / Blast Booth lifts

BL lifts are designed to withstand the harsh environment of grit, sand, and shot blast booths. Featuring sealed components and lift mast along with heavy duty components, the lifts can replace ladders providing increased safety and productivity. This design is also used for extended height applications for platform heights up to 27'.



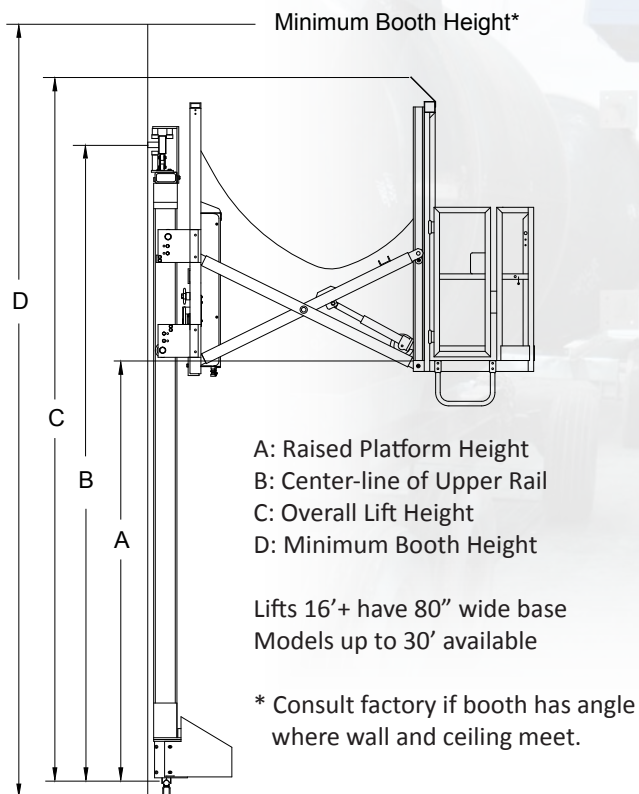
- Raised platform heights up to 20' with custom heights available
- Retracted dimension 4'-0"
- Extended dimension 9'-0"
- Operator platform capacity 500#
- Sealed mast construction
- Pneumatic/hydraulic power unit
- Platform 48" wide x 30" deep
- Operator controls on front rail of platform
- Hand controls for Y-Axis, Z-Axis, and emergency stop
- Foot control for X-Axis
- Base control to raise and lower platform
- Lift equipped with Filter/Regulator/Lubricator
- Self-closing/self latching entry gates
- 1 and 2 axis models available
- Lift requires a clean, dry air supply of 80 SCFM @ 100 PSI with a 40°F dew point

### Travel Speeds:

- X-Axis variable up to 40 FPM
- Y-Axis 15 FPM
- Z-Axis 15 FPM

### Extended reach model:

- Retracted dimension 4'-6"
- Extended dimension: 13'-4"
- Operator platform capacity: 400#



Fully Extended Dimension 9' (Y-Axis)  
 Extended Reach Model 13'-4" Fully Extended (Y-Axis)

Model	A	B	C	D
BL-89	8'-0"	12'-11 1/4"	14'-6"	15'
BL-99	9'-0"	13'-11 1/4"	15'-6"	16'
BL-109	10'-0"	14'-11 1/4"	16'-6"	17'
BL-119	11'-0"	15'-11 1/4"	17'-6"	18'
BL-129	12'-0"	16'-11 1/4"	18'-6"	19'
BL-139	13'-0"	17'-11 1/4"	19'-6"	20'
BL-149	14'-0"	18'-11 1/4"	20'-6"	21'
BL-159	15'-0"	19'-11 1/4"	21'-6"	22'
BL-169	16'-0"	20'-11 1/4"	22'-6"	23'
BL-179	17'-0"	21'-11 1/4"	23'-6"	24'
BL-189	18'-0"	22'-11 1/4"	24'-6"	25'
BL-199	19'-0"	23'-11 1/4"	25'-6"	26'
BL-209	20'-0"	24'-11 1/4"	26'-6"	27'