



# BL 3-AXIS MAST LIFTS

Man Lifts for Sand Blast Booths

With 30+ years experience, LPI is the recognized industry leader in manufacturing lifts. Challenge us with your application.



## Sand Blast lifts

- Withstand harsh and demanding environments
- Grit, sand, and shot blast
- Heavy duty sealed components
- Replace ladders
- Increase safety and productivity

**Lifts can be designed to fit your specific application.**



[www.lpi-inc.com](http://www.lpi-inc.com)

**L P I**   
**STRONG**

# BL 3-AXIS MAST LIFTS

## Blast Media and Blast Booth Lift

- Raised platform heights up to 6.1m with custom heights available
- Retracted dimension 1.2m
- Extended dimension 2.7m
- Operator platform capacity 227kg
- Sealed mast construction
- Pneumatic/hydraulic power unit
- Platform 1.2m wide x 0.8m deep
- Operator controls on front rail of platform
  - Hand controls for Y-Axis, Z-Axis, and emergency stop
  - Foot control for X-Axis
- Base control to raise and lower platform
- Lift equipped with Filter/Regulator/Lubricator
- Self-closing/self-latching entry gates

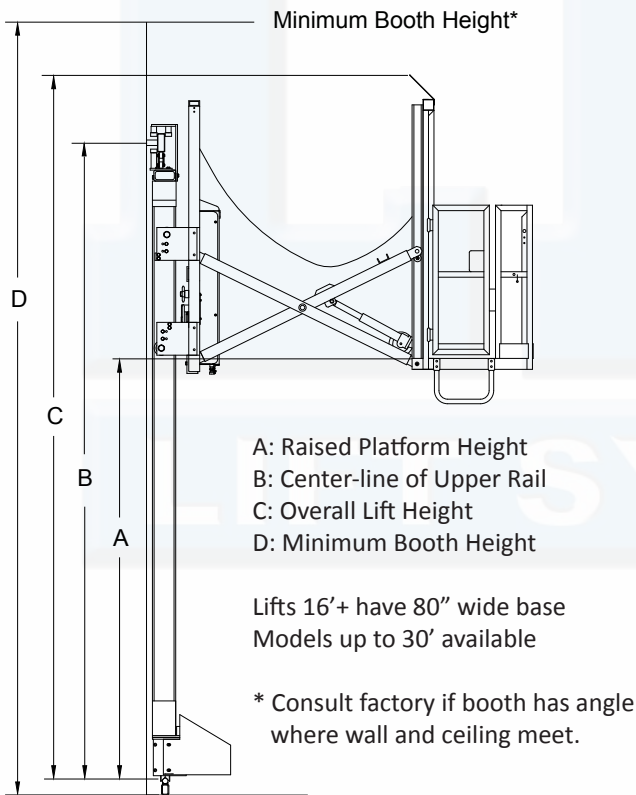
- 1 and 2 axis models available
- Lift requires a clean, dry air supply of 2.7 cpm @ 6.9 bars with a 4.4°C dew point
- Rail guided travel (X-Axis)

### Travel Speeds:

- X-Axis variable up to 12 mpm
- Y-Axis 4.5 mpm
- Z-Axis 4.5 mpm
- 

### Extended reach model:

- Retracted dimension 1.4m
- Extended dimension: 4.1m
- Operator platform capacity: 181kg



Fully Extended Dimension 2.7m (Y-Axis)				
Extended Reach Model 4m Fully Extended (Y-Axis)				
Model	A	B	C	D
BL-89	2.4	3.9	4.4	4.6
BL-99	2.7	4.2	4.7	4.9
BL-109	3	4.6	5	5.2
BL-119	3.4	4.9	5.3	5.5
BL-129	3.7	5.2	5.6	5.8
BL-139	4	5.5	5.9	6.1
BL-149	4.3	5.8	6.3	6.4
BL-159	4.6	6.1	6.6	6.7
BL-169	4.9	6.4	6.9	7
BL-179	5.1	6.9	7.2	7.3
BL-189	5.5	7	7.5	7.6
BL-199	5.8	7.3	7.8	7.9
BL-209	6.1	7.6	8.1	8.2

All measurements rounded to nearest meter.

**Challenge us with your application!**