

Elevating Work Platform (EWP) is a robust solution to making your work environments safer and more productive. EWPs reduce fatigue and maximize throughput. These mobile platforms are ideal for welding, assembly and maintenance areas where versatility and mobility are required. EWPs are designed to withstand daily usage in industrial environments and harsh conditions. The pneumatic model is rated for use in Class I, Div. 1 explosion-proof environments.

Options available for your specific requirements.



**Electric Model
(EWP-4-E)**



**Pneumatic Model
(EWP-4-P)**



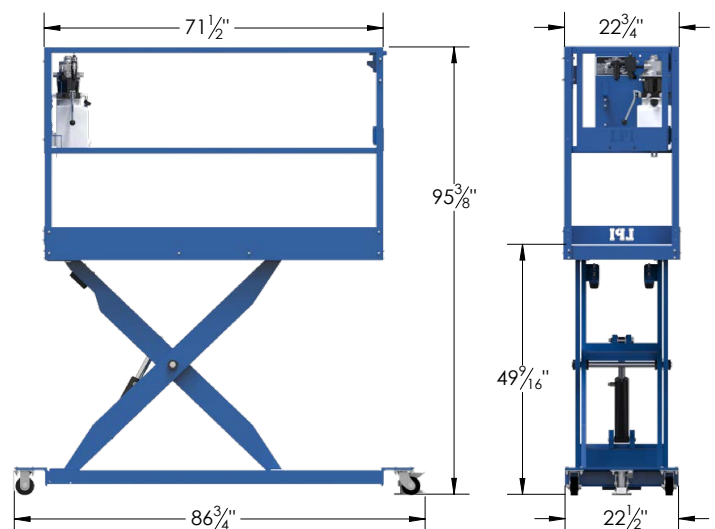
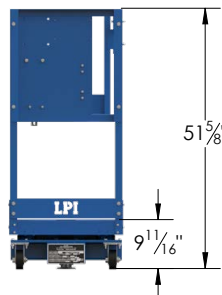
- 120V / 15A
- 8ft cord with 5-15P NEMA Plug
- Max. lift capacity: 500lbs
- Weight (approx.) 860lbs
- Platform height lowered: 9.5"
- Platform height raised: 53.4"
- Working Area (inside platform): 20.0" x 68.8"

- 35 SCFM @ 80psi Air *
- Max. lift capacity: 500lbs
- Weight (approx.) 860lbs
- Platform height lowered: 9.5"
- Platform height raised: 53.4"
- Working Area (inside platform): 20.0" x 68.8"

*Air supply hose not provided

Features

- Heavy-duty construction
- Pivoting caster wheels for increased mobility
- Foot activated position lock
- Durable, painted finish
- Enclosure (inside) dimensions: 20.0" x 68.8"



This product meets or exceeds applicable ANSI requirements for intended applications.