

Model LPSM & LPSMT: Stationary/Manually Positioned Scissor Lifts

Stationary position & manually positioned personnel scissor lifts for use in paint process booths and other hazardous locations. LPI manufactures a full line of standard scissor lifts that can be customized with many options.



LPSM Stationary Scissor Lift



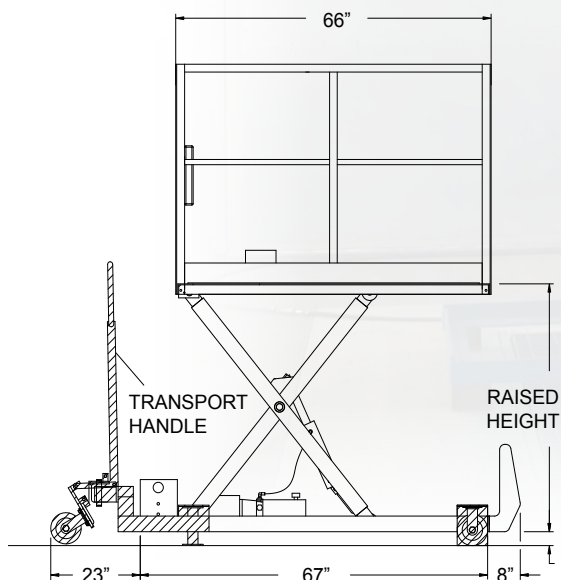
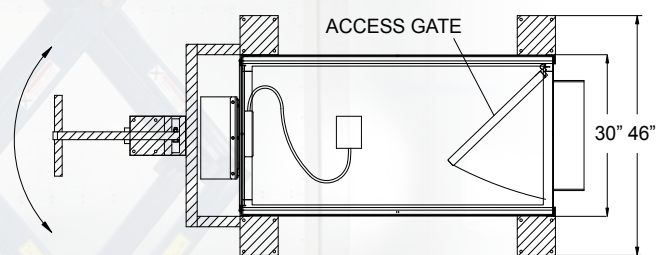
LPSMT (Model shown with Transport Handle)

All LPSM Models Include:

- Raised platform heights ranging from 49" to 143"
- Minimum lowered platform height of 11"
- Operator platform capacity 500#
- Pneumatic/hydraulic power for hazardous areas
- Electric/hydraulic power for non-hazardous areas
- Filter/Regulator/Lubricator (pneumatic version only)
- Platform dimensions 66" long x 30" wide
- Fixed hand control with Emergency Stop
- Base control to raise and lower platform
- 3/8" NPT auxiliary air supply in operator platform
- 42" high guard rail with a self-closing gate
- Vertical speed 15 FPM
- Requires clean, dry, air supply of 50 SCFM at 90 PSI
- Minimal installation - Quick and easy connection to air source, 1/2" NPT

LPSMT Models also Include:

An easy to use Transport Handle Kit (components shaded in gray) for mobility and positioning between work areas. Transport Handle Kit includes: 6" rigid casters and a pull-down handle with retractable steering wheel for maneuverability. Also included is a safety switch to prevent the operator platform from being raised with transport handle in "transport" position.



Model LPSM & LPSMT: Scissor Lifts

Model	Max Work Height	Raised Floor Height	Lowered Floor Height	Overall Length	Overall Width
LPSM-48*	121"	49"	11"	83"	30"
LPSM-96*	164"	92"	16"	83"	30"
LPSM-144*	212"	140"	18"	83"	30"
LPSMT-48	124"	52"	13 1/2"	98"	46"
LPSMT-96	167"	95"	19"	98"	46"
LPSMT-144	215"	143"	21"	98"	46"

* UNIT MUST BE BOLTED TO FLOOR

Slab Type Machine should only be raised on a hard flat level surface.

All models meet applicable OSHA/ANSI Standards as interpreted by LPI, Inc.