

Stationary Scissor Lifts LPSM

Stationary Scissor Lifts (LPSM) for use in paint/powder booths and other hazardous or non-hazardous locations. These standard scissor lifts can be customized with options to fit specific processes or applications.

GENERAL INFO

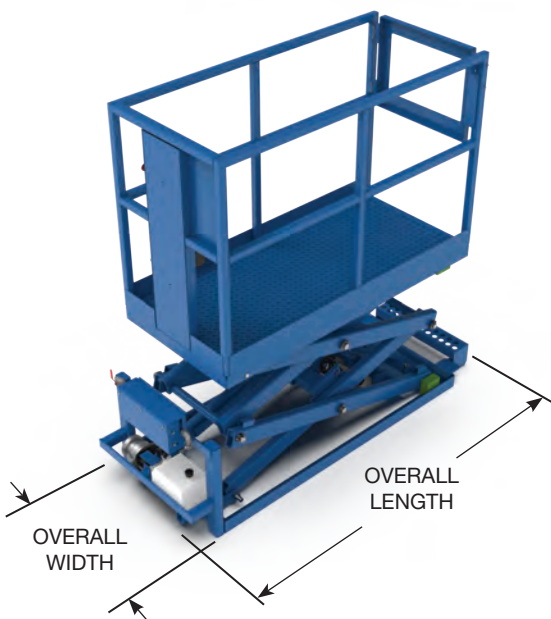
- Raised platform heights: 4'-1" to 11'-8"
- Minimum lowered platform height: 11"
- Operator Platform Capacity: 500 lbs.
- Platform Dimensions: 66"L x 30"W
- 43.5" high guard rail with self-closing gate
- Pneumatic/Hydraulic power for hazardous areas
- Electric/Hydraulic power for non-hazardous areas
- Filter/Regulator/Lubricator (pneumatic option only)
- Quick and easy connection to air source

CONTROLS / CONNECTIONS

- Primary air source connection: 1/2" NPT
- Auxiliary uncoiled air connection in platform: 3/8" NPT
- Lift requires a clean, dry air supply (50 scfm @ 90 psi with a 40°F dew point)
- Fixed hand control with E-Stop
- Base control to raise and lower platform
- Optional pendant foot control to raise/lower platform

TRAVEL SPEEDS

- Z-Axis (up/down): 15 fpm



Model LPSM (Stationary Scissor Lifts)					
Model	Raised Floor Ht.	Lowered Floor Ht.	Max Work Ht.	Overall Length	Overall Width
LPSM-48	4'-1"	11"	10'-1"	6'-11"	2'-6"
LPSM-96	7'-8"	1'-4"	13'-8"		
LPSM-144	11'-8"	1'-6"	17'-8"		

-For use on hard, flat and level surface
 -All LPSM units must be securely fastened to the floor
 -Designed in accordance with applicable ANSI requirements based on machine configuration as originally manufactured for intended applications



Dimensions shown are nominal. Actual dimensions may vary and are presented with engineering drawings.

Due to continuous product improvement, LPI, Inc. reserves the right to make equipment/specification changes without prior notification.