



# VESTIBULE ACCESS LIFT

for Quick Color Change  
Powder Coating Booths

## Maintain Efficiency, Improve Productivity!

Operator Access at Elevated Areas!



# VL SERIES



**LPI Lift Systems**

📍 4404 Anderson Drive, Eau Claire, WI 54703

📞 (800) 657-6956 ✉️ [sales@lpi-inc.com](mailto:sales@lpi-inc.com) 🌐 [www.lpi-inc.com](http://www.lpi-inc.com)

# Enhance your Quick Color Change Powder Coating Booth with the Vestibule Lift (VL)

The Vestibule Series Lift is the perfect turnkey solution for vestibule touch-up areas. This compact VL system provides full workpiece access for manual touch-ups, efficiently moving the operator to the workpiece.



Bolt-on Removable Front Guardrail  
(for applications requiring open front)

36"x48" Platform  
-or-  
36"x60" Platform



The VL lift is designed to meet applicable OSHA / ANSI / NFPA standards

## Specifications:

Pneumatic-hydraulic power  
Platform capacity: 300 lbs. (operator and equipment)  
Requires a clean, dry air supply of: 50 scfm at 90 psi  
Up to 15 ft./min. vertical travel speed\*  
(\*consult sales if faster travel speeds required)

## Standard Platform Features:

Raised platform floor heights: 6' to 10' (1' increments)  
Bolt-on removable front guardrail  
Fall restraint anchor points

## Available Options:

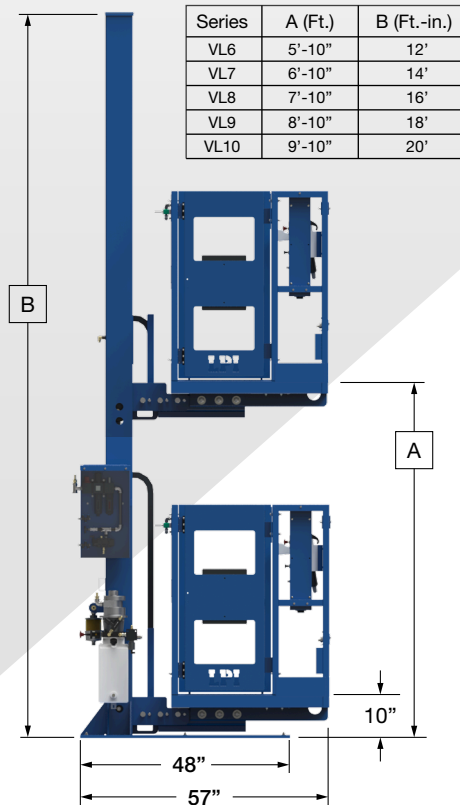
36"x48" -or- 36"x60" platform  
Right, left, or both sides entry gate  
Right or left side mounted control box  
Breathing air connection (hose not included)  
Platform mounted tool tray  
Conveyor interlock on platform

## Benefits:

Minimal space usage and no extra structure required  
Added value to Powder Booth System  
Improved operator access and safety for spraying at heights

## LPI Lift Systems

4404 Anderson Drive, Eau Claire, WI 54703  
(800) 657-6956 sales@lpi-inc.com www.lpi-inc.com



\*Higher platform travel available upon request.  
May require additional connection point at top of mast.

To learn more, call or email:  
(800) 657-6956  
sales@lpi-inc.com

